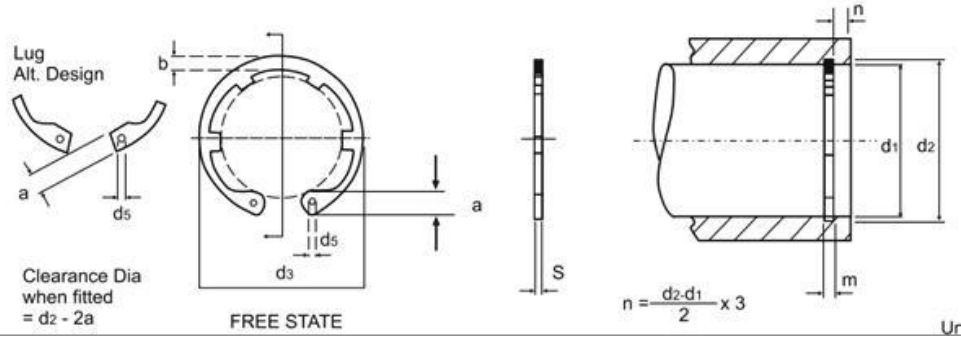


K Type Internal Circlip – DIN 984



Nominal Bore Size d_1	CIRCLIP DIMENSION							GROOVE DIMENSION					
	Free Diameter d_3	Free Diameter Tolerance	Thickness S mm	Tolerance	Lug a (Max.)	Large Section B	Hole Dia d_5 (Min)	Diameter d_2	Tolerance	Width m (Min.)			
16	17.30	+0.42 -0.13	1.00	-0.06	3.4	2.1	1.70	16.80	+0.110	1.10			
17	18.30				3.7	2.2	1.70	17.80		1.10			
18	19.50				+0.150	1.20	4.1	2.3	2.00	19.00	1.10		
19	20.50						3.8	2.3	2.00	20.00	1.10		
20	21.50						3.9	2.4	2.00	21.00	1.10		
21	22.50						4.0	2.4	2.00	22.00	1.10		
22	23.50						4.0	2.6	2.00	23.00	1.10		
23	24.60						4.1	2.6	2.00	24.10	1.30		
24	25.90	+0.42 -0.21	1.50				4.2	2.6	2.00	25.20	+0.210	1.30	
25	26.50						4.2	2.8	2.00	26.20		1.30	
26	28.50				4.4	2.8	2.00	27.20	1.30				
27	29.10				4.5	2.9	2.00	28.40	1.30				
28	30.10				4.9	3.0	2.00	29.40	1.30				
30	32.10				4.9	3.2	2.00	31.40	1.30				
31	33.40				+0.50 -0.25	1.75	5.0	3.2	2.50	32.70		+0.250	1.30
32	34.40						5.1	3.3	2.50	33.70			1.30
34	36.50	5.3	3.4				2.50	35.70	1.60				
35	37.80	5.5	3.6				2.50	37.00	1.60				
36	38.80	5.6	3.6				2.50	38.00	1.60				
38	40.80	6.1	3.8				2.50	40.00	1.60				
40	43.50	+0.90 -0.39	2.00				7.2	4.0	2.50	42.50	+0.185		1.85
42	45.50						7.2	4.1	2.50	46.50			1.85
44	47.50				7.2	4.2	2.50	47.50	1.85				
45	48.50				7.2	4.3	2.50	49.50	1.85				
47	50.50			7.2	4.5	2.50	50.50	+0.185	1.85				
48	51.50			7.2	4.5	2.50	53.00		1.85				
50	54.20			+1.10 -0.46	2.50	8.2	4.7		2.50	55.00		+0.300	2.15
52	56.20					8.2	4.7		2.50	58.00			2.15
55	59.20	8.2	5.1			2.50	60.00		2.15				
57	61.20	8.2	5.2			2.50	61.00		2.15				
58	62.20	8.2	5.3			2.50	63.00		2.15				
60	64.20	8.2	5.5			2.50	65.00		2.15				
62	66.20	8.2	5.6			2.50	65.00	2.15					
65	69.20	+1.30 -0.54	3.00			10.2	5.8	3.00	68.00	+0.265	2.65		
67	71.50			10.2	6.0	3.00	70.00	2.65					
68	72.50			10.2	6.1	3.00	71.00	2.65					
70	74.50			10.2	6.2	3.00	73.00	2.65					
72	76.50			10.2	6.4	3.00	75.00	2.65					
75	79.50			10.2	6.6	3.00	78.00	2.65					
80	85.50			-0.08	3.00	10.2	7.0	3.00	83.00		+0.350	2.65	
85	90.50					12.2	7.4	3.50	88.50			3.15	
90	95.50	12.2	7.7			3.50	93.50	3.15					
95	100.50	12.2	8.1			3.50	98.50	3.15					
100	105.50	12.2	8.5			3.50	103.50	+0.540	4.15				
110	117.00	12.2	9.0			3.50	114.00		4.15				
115	122.00	12.2	9.3			3.50	119.00		4.15				