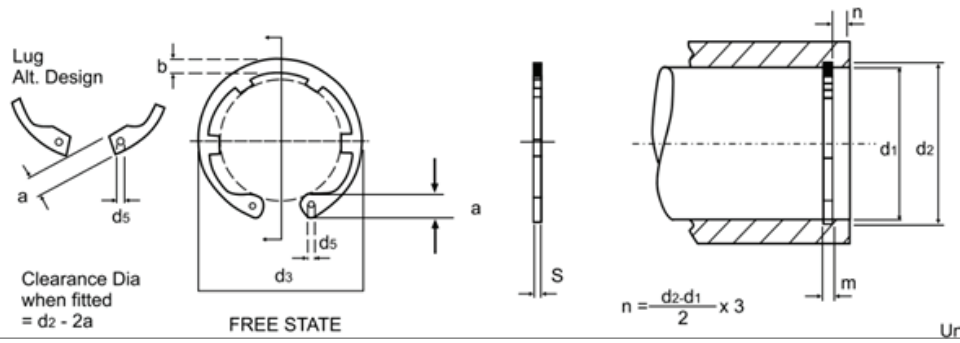


K Type Internal Circlip – DIN 984



Nominal Bore Size d1	CIRCLIP DIMENSION							GROOVE DIMENSION				
	Free Diameter d3	Free Diameter Tolerance	Thickness S mm	Tolerance	Lug a (Max.)	Large Section B	HoleDia d5 (Min)	Diameter d2	Tolerance	Width m (Min.)		
16	17.30	+0.42 -0.13	1.00	-0.06	3.4	2.1	1.70	16.80	+0.110	1.10		
17	18.30				1.10							
18	19.50				+0.150	1.00	4.1	2.3	2.00	19.00	1.10	
19	20.50						1.10					
20	21.50						1.10					
21	22.50						1.10					
22	23.50						1.10					
23	24.60	1.30										
24	25.90	+0.42 -0.21	1.20				4.2	2.6	2.00	23.00	+0.210	1.30
25	26.50				1.30							
26	28.50				1.30							
27	29.10				1.30							
28	30.10				1.30							
30	32.10				1.30							
31	33.40				+0.50 -0.25	1.50	4.9	3.0	2.00	29.40		+0.250
32	34.40	1.60										
34	36.50	1.60										
35	37.80	1.60										
36	38.80	1.60										
38	40.80	1.60										
40	43.50	+0.90 -0.39	1.75				7.2	4.0	2.50	42.50	+0.300	
42	45.50			1.85								
44	47.50			1.85								
45	48.50			1.85								
47	50.50			1.85								
48	51.50			1.85								
50	54.20			+1.10 -0.46	2.00	8.2	4.7	2.50	55.00	+0.350		2.15
52	56.20	2.15										
55	59.20	2.15										
57	61.20	2.15										
58	62.20	2.15										
60	64.20	2.15										
62	66.20	2.15										
65	69.20	+1.30 -0.54	2.50	10.2	5.8	3.00	68.00	+0.540	2.65			
67	71.50			2.65								
68	72.50			2.65								
70	74.50			2.65								
72	76.50			2.65								
75	79.50			2.65								
80	85.50			-0.07	3.00	10.2	6.0		3.00	70.00	+0.350	2.65
85	90.50	2.65										
90	95.50	2.65										
95	100.50	2.65										
100	105.50	2.65										
110	117.00	-0.08	3.00			10.2	6.4	3.00	75.00	+0.350		2.65
115	122.00					2.65						
					10.2	6.6	3.00	78.00	+0.350	3.15		
					10.2	7.0	3.00	83.00		+0.350	3.15	
					12.2	7.4	3.50	88.50	+0.350		3.15	
					12.2	7.7	3.50	93.50		+0.350	3.15	
					12.2	8.1	3.50	98.50	+0.540		4.15	
					12.2	8.5	3.50	103.50		+0.540	4.15	
					12.2	9.0	3.50	114.00	+0.540		4.15	
					12.2	9.3	3.50	119.00		+0.540	4.15	